

1

2

3

4

5

6

7

A

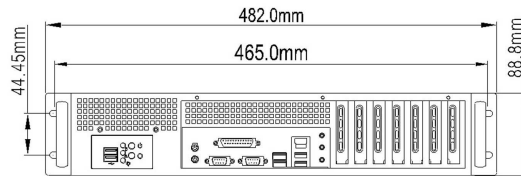
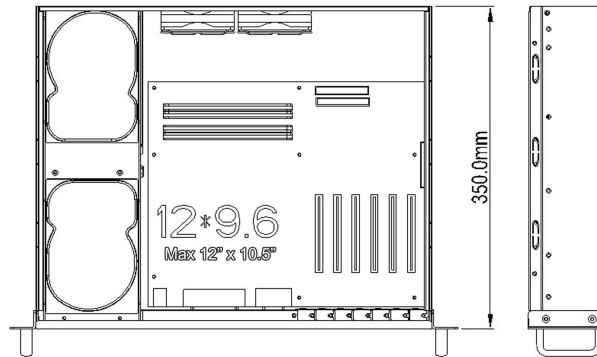
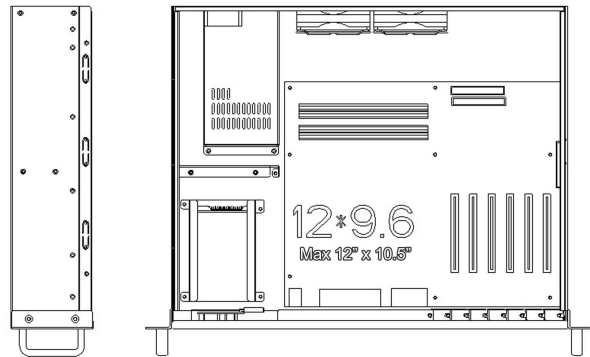
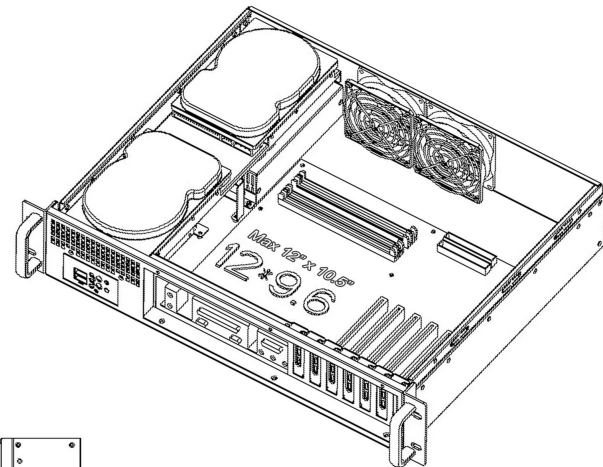
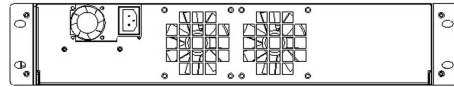
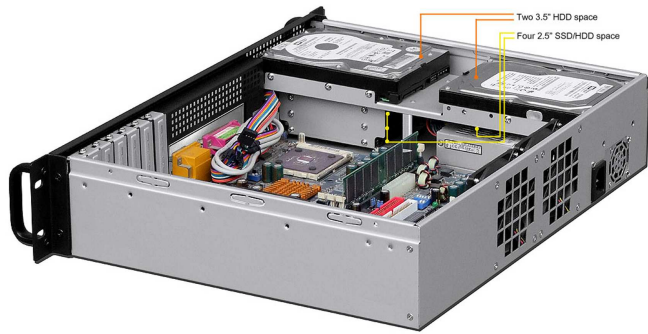
B

C

D

E

REVISIONS		修訂	REVISIONS	日期
版次	REV.	記號	DESCRIPTION	DATE



容許公差: TOLERANCES:	.XXX ±.025 .XX ±.100 .X ±.250	材料規格: MATERIAL:	SECC sheet metal at 1.2mm~2.0mm	品名: MODEL NO:	2U ATX FRONT-ACCESS CHASSIS
核准者: APPROVE BY:	Robert Roan	日期: DATE:	July 12, 2019	料號: PART NO:	IPC-2350F
審核者: CHECK BY:	Veness Huang	日期: DATE:	July 12, 2019	圖號: DRAW NO:	檔號: FILE NO: IPC-2350F-20190712
繪圖者: DRAW BY:	Danny Chih	日期: DATE:	July 12, 2019	單位: UNITS: mm	規格: SPEC.: 編號: SHEET: OF
投影法: PROJECTION:	第三角法	版次: REV. NO:	1.0		